



GRAIN GRINDER MODEL 2015C



You get more than 70 years of hands-on, in-the-field experience in every Mighty Giant we build.

*Durable to Last Generations,
Innovative to Meet Your Diverse Grinding Needs*



402-528-3861



mightygiant@mightygiant.com



www.mightygiant.com



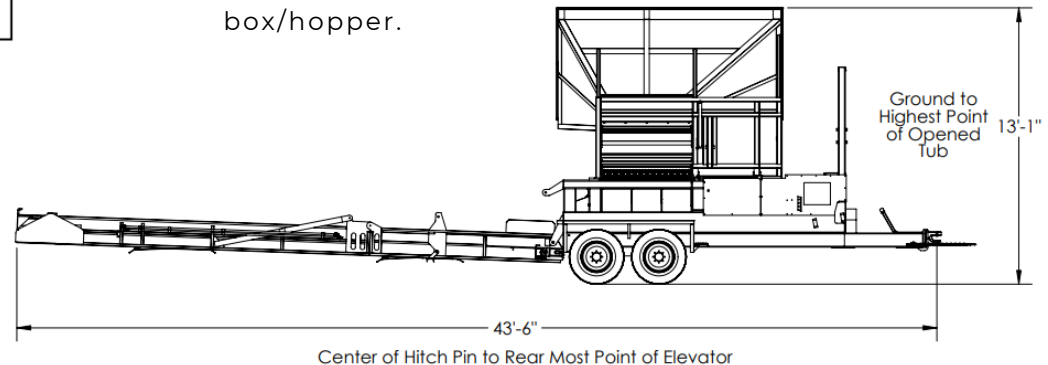
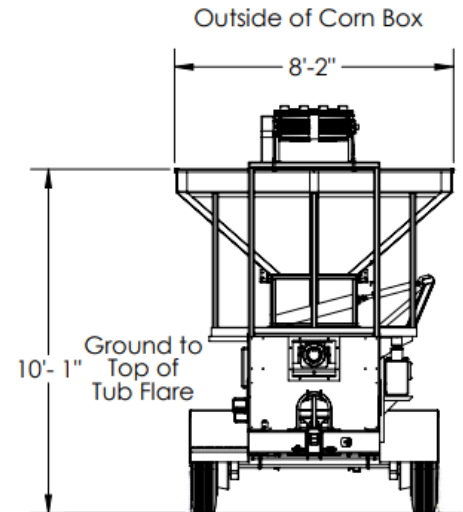
GRAIN GRINDER MODEL 2015C

	Model 2015C
Horsepower	150 to 450 HP
Suspension	20,000 lb. Capacity
Mill	26" x 48" with 5" shaft
Hammers	3/8" to 3/4" thick
Number of Hammers	84
Hammer Pins	6 pins each 1-1/4" diameter
Mill Disks	1/4" or 3/8"
Hopper/Corn Box	Grain Box or Large Hopper
Elevator	24" wide x 25' Folding Hydraulic Driven-Mini Bucket Cleated Belt
Discharge Auger	14" Right Hand Auger
Dimensions	Length: 22'5" Width: 8' 2" Height: 12'
Weight	Approximately 14,300 pounds

The Mighty Giant 2015C is a PTO Driven, production model grinder, built for all your grain grinding needs. We built our first corn grinder in the mid 1980's with the customer in mind for grinding several bushels of grain.

Screens can be easily changed for any type of grind that you need. From the mill, the grain is fed onto the 24" wide top-driven conveyor to easily load any vehicle.

All grain grinders have a standard tilt-open box/hopper allowing easy access to the mill, hammers and screens-without having to climb in and out of the box/hopper.



FEATURES

- Hopper opens hydraulically for servicing and changing screens.
- Elevators drive from the top a with rubber lagged pulley.
- Capable of grinding any type of grain.
- Pin-hitch Chassis.
- Hydraulically raise, lower, and fold the discharge elevator by remote control. (Model 2015C only)